



STABI ONE

USER MANUAL

STABI ONE

MANUAL AND WARRANTY

We thank you for purchasing a KITE OPTICS instrument.

PHOTO

1. Ocular lenses
2. Twist up eyecup
3. Focus wheel
4. Strap loop
5. On-off switch
6. Battery cover
7. AAA Battery compartment
8. Objective lens
9. Power indication light



SCOPE OF DELIVERY

- Lanyard
- Silicone lens cover
- Smartphone adapter
- Securing strap
- 3x Metal self-adhesive plate

GET SPARE PARTS

<https://parts.kiteoptics.com>

EN



WATER AND MOISTURE PRECAUTIONS

- The STABI ONE is weather-resistant (IPX2) but not waterproof. It is designed to withstand light rain or incidental splashes only.
- Do not expose the STABI ONE to heavy rain, immersion, running water, or high humidity.
- Do not use the product in the shower, bath, near swimming pools, or in marine environments where water exposure is likely.
- Never submerge the STABI ONE in water. Water ingress may cause permanent damage to the electronics and battery compartment.
- If the STABI ONE becomes wet, immediately switch it off, remove the battery, and allow the device to dry completely before reuse.
- Use of the product in wet conditions is at the user's own risk. KITE OPTICS cannot be held responsible for damage resulting from water exposure.

SAFETY

- Never look at the sun or an intense light source with this product. It will damage your eyes.
- Avoid using the device while walking to prevent overlooking obstacles.
- Protect the device from impacts.
- Do not use this product in a location where a flammable gas or explosive gas may be present in the air. It may lead to inflammation or an explosion.
- Do not use or store this product in a high-temperature location or in a car in mid-summer, at a window, next to a heating appliance.
- Do not leave exposed to direct sunlight. The lens may concentrate the sun's ray and cause internal heating of the instrument or fire.
- Be sure to read the instruction manual.
- Avoid using the device near powerful magnetic, electrostatic, or electromagnetic fields to prevent interference.
- Repairs must be conducted solely at authorized service centers, and attempts to dismantle or modify the device may cause damage, injury, or electric shock.
- Avoid exposing the device to insect repellents or aggressive chemicals; use only recommended cleaning agents.
- Keep the device out of reach of small children.
- Avoid touching glass surfaces with fingers, especially if hand creams or insect repellents have been applied.
- These substances may contain chemicals harmful to coatings.
- Keep a record of the device's serial number for loss prevention.

BATTERY INSTRUCTION AND SAFETY

- Always use AA or AAA Alkaline or Lithium batteries.
- Rechargeable batteries are not supported and may void the warranty, except for rechargeable batteries supplied or explicitly recommended by KITE OPTICS.
- KITE OPTICS advises the use of Lithium AAA batteries over Alkaline batteries for best battery life and low risk of battery leakage.
- Only utilize the battery type specified and detailed in this manual. Usage of incorrect batteries or unapproved types may lead to a potential explosion.
- Avoid prolonged exposure of the battery to sunlight, heat, humidity, or moisture, as it may pose a risk of fire or explosion.
- Refrain from placing the battery in a microwave oven or high-pressure container.
- Under no circumstances dispose of batteries in fire or attempt to heat, recharge, dismantle, or break them open.
- Ensure batteries are stored in a secure location inaccessible to children or pets.
- Avoid leaving batteries unattended, as they may pose a choking hazard if swallowed.
- Disposal of depleted batteries in household waste is prohibited due to their harmful environmental impact.
- Utilize designated battery collection points at major retailers or local special waste collection centers for proper recycling.
- Remove the battery from the device if it will not be in use for an extended period.
- Exercise caution opening and closing the battery cover, avoiding excessive force.
- Note that low temperatures can affect battery performance.
- Carry the device close to the body in cold conditions and utilize a fresh battery when necessary.
- Store batteries in a cool, dry location to maintain their integrity.

INSERTING THE BATTERIES (BATTERIES ARE NOT INCLUDED)

Remove the rubber battery cover and insert 1 AAA battery into the functional battery compartment, paying attention to the position of the + and - poles.

FIRST USE

- Attach the neck strap to the strap loop.
- For use while wearing spectacles, do not twist up the eyecup.
- For use without wearing spectacles, twist up the eyecup by turning it anti-clockwise.

OBSERVATION

- Look through the STABI ONE from the ocular lens, keeping in mind the above instructions of first use.
- Depending on the distance of the observed object, adjust focus by turning the focus wheel.
- Activate the stabilization system by flipping the switch to ON position. The power indication light turns RED.

SWITCHING THE DEVICE ON/OFF

The device is switched on by placing the power switch in the 'I' position. The device is switched off by placing the power switch in the 'O' position. The status LED light will be red when the device is switched ON.

AUTOMATIC OFF BY TIMER

20 minutes after placing the switch to ON, the instrument will completely switch OFF again. At this moment the status LED will go dark.

LOW BATTERY INDICATOR

When the unit is in active mode and battery levels are good, the power indication light will be RED. When the instrument detects a low battery level, the power indication light will flash RED until batteries are replaced. Low battery levels may cause less effective vibration control.

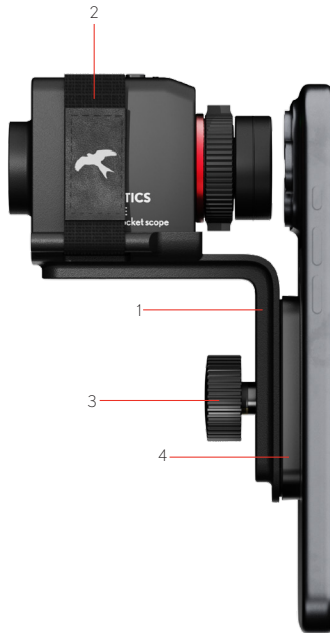
USE OF THE DEVICE WITHOUT POWER

Apart from power on and off, the power switch also acts as a physical lock for the internal gimbal. When there is no battery placed, or when the battery is empty, while the power switch is in the ON position, the internal gimbal system is not actively powered and will be free in movement. This free movement can be felt when shaking the instrument, or seen when looking through the instrument and seen as a very unstable and shaky image. This is normal. You can perfectly use the device as a conventional binocular when no battery is placed or when battery is dead, only keep in mind to put the power switch in OFF position so the gimbal is locked.

USE ON SMARTPHONES

PHOTO

1. STABI ONE holder
2. STABI ONE securing strap
3. Turnbuckle for optical alignment
4. Magnetic phone mount



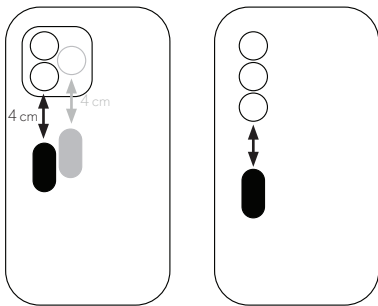
WARNING

When using the STABI ONE with a smartphone, always secure the STABI ONE around your neck using the neck strap and hold the phone firmly in your hands. This is essential to prevent the STABI ONE from falling.

KITE OPTICS cannot be held responsible for any fall damage to the STABI ONE or your smartphone.

PLACE THE METAL PLATE ON THE BACK OF THE PHONE

Stick one of the supplied metal plates on the back of your phone so that it can be connected to the magnetic holder. Check which lens is your standard phone camera lens by holding your fingers in front of them one by one. Stick the plate about 3-4 cm, vertically aligned underneath your standard lens as shown on the image below. The STABI ONE holder can only be adjusted vertically. It cannot tilt sideways.



WARNING

The self-adhesive metal plate does not adhere reliably to silicone cases, soft-touch coatings or ceramic back panels. Use an instant adhesive instead in this case.

PLACE STABI ONE ONTO THE PHONE HOLDER

- Place the STABI ONE on its holder with the eyepiece lens facing the magnetic holder.
- Secure the STABI ONE using the supplied STABI ONE securing strap.
- Make sure the neck strap remains attached to the STABI ONE and is worn around your neck.

ATTACHING THE PHONE

You can now connect your phone with the holder. Open your photo app and align the lens of the phone with the ocular lens of STABI ONE. Once you have a nice round image, tighten the turnbuckle for optical alignment at the back of the holder. To get a fullscreen image, you will always need to use the smartphone's zoom.

TIP FOR PHONES WITH MULTI LENSES

Smartphones with multiple lenses automatically select the appropriate lens based on zoom level, lighting conditions and subject distance. In some cases, the phone may misidentify the STABI ONE as a macro subject rather than an optical device to look through, also causing switching of lenses. This can be inconvenient when photographing through optical instruments, as only one lens can be properly aligned with the eyepiece. Fortunately, most smartphones allow you to manually select which lens is used. This can often be achieved by disabling macro mode, adjusting the camera settings, or using a third-party photography app. Apps that offer manual control or RAW shooting modes usually allow you to override automatic lens selection and choose the desired lens.

CARE AND MAINTENANCE

Your instrument does not require any special maintenance. We advise you to take good care of the lens and make sure the instrument is well stored when it is not being used. Cleaning of the lens: Always remove large particles first, using a soft brush or by blowing them away. Large particles such as sand or salt could cause scratches on the lens surface during cleaning. For thorough cleaning we recommend breathing onto the lens surface to form a coat of condensation and then cleaning it with a soft and moist cloth. Never press hard or use force while wiping the lens. We advise not to use liquids ment for spectacle cleaning, unless they are advised for binoculars or scopes. Some liquids can bring damage to the coatings of your sight.

STORAGE

- Keep your device stored in a well-ventilated area. In case of moisture exposure, ensure thorough drying before storage.
- In high-humidity or tropical environments, consider using an airtight container with a moisture-absorbing agent like silica gel.
- Avoid subjecting the device to excessive heat, such as direct sunlight or fire.
- Avoid storing in areas with dramatic temperature changes.
- Do not leave the batteries in the unit for a long time when not in use. The electrolyte solution in the battery may leak, damaging the unit.

KITE OPTICS 2 YEAR WARRANTY

Including Optical and Electronic Components.

(Valid for Products Purchased within the European Union and EEA.)

At KITE OPTICS, our commitment is simple: if your product fails due to a defect in materials or workmanship, we will take care of it. KITE OPTICS warrants this product against defects in materials and workmanship under normal intended use and service for a period of two (2) years from the date of purchase. If a defect is confirmed, KITE OPTICS will, at its sole discretion, repair the product or replace it with the same product. If the original product or any component is no longer available, KITE OPTICS may replace it with a functionally equivalent product or component of comparable performance and value. Replacement does not extend or restart the original warranty period. This warranty applies only to products purchased through authorized KITE OPTICS dealers. Proof of purchase is required. This warranty policy applies worldwide except in the United States. This warranty covers defects in materials or workmanship only. It does not apply to normal wear, aging, natural material degradation, cosmetic damage not affecting function, wear parts or accessories, sealing components subject to natural aging, reduction of water resistance over time, corrosion, oxidation, environmental exposure, improper use, misuse, impact, unauthorized repair or modification, loss, theft, or missing parts. Batteries of any type, whether removable or built-in (including rechargeable lithium-ion batteries), are consumable components and are not covered under this warranty. Battery performance, charging characteristics, capacity reduction, normal battery aging, or battery replacement are not considered defects. Any damage resulting from battery leakage, swelling, venting, overheating, corrosion, improper charging, use of non-approved batteries, use of third-party chargers or power supplies, or other abnormal battery behavior is not considered a defect in materials or workmanship, even if such damage affects other components of the product. Water resistance is not permanent and may diminish over time due to normal aging and use. Any damage resulting from normal wear, aging, environmental exposure, seal degradation, liquid ingress, firmware modification, unauthorized software alteration, or other excluded causes is not considered a defect in materials or workmanship, even if such damage affects other components of the product. Repair or replacement as described above is the sole remedy under this warranty. This warranty is provided in addition to, and does not affect, statutory consumer rights under applicable national law.

COMPLIANCE

CE MARK

The CE mark signifies compliance with fundamental EU guidelines.



DISPOSAL OF ELECTRICAL AND ELECTRONIC EQUIPMENT

(For EU and European countries with waste separation policies)

Dispose of this device, containing electric/electronic components, at a designated recycling collection point provided by local authorities.

Standard or rechargeable batteries must be removed and disposed of separately in line with local regulations.





Vlamingveld 89
8490 Jabbeke
Belgium
T +32 50 69 23 19
www.kiteoptics.com
info@kiteoptics.com